



# ErgoMover Lift & Go

ErgoMover Lift & Go is an electric battery powered transport trolley with hydraulic lift of the flat bed. The trolley is developed to replace the manual plasterboard carriers by assisting in manual heavy lifting tasks and optimising the handling of plasterboards and other building materials.

## LARGE CAPACITY

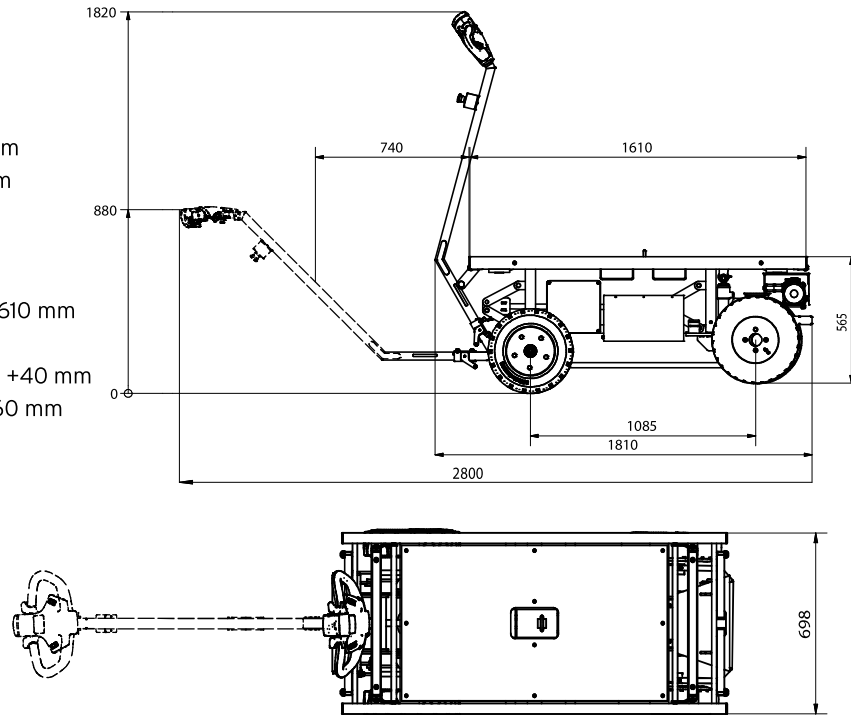
The trolley has a powerful electric motor and 4-wheel steering and is suitable for driving off-road and on construction sites. The ErgoMover Lift & Go is able to lift the flat bed by 150mm which makes it ideal, for example, for placing plasterboards on trestles. It can transport and lift an impressive 1.500 kg.



# ErgoMover Lift & Go

## SPECIFICATIONS\*

- Lifting capacity: 1.500 kg
- Length (without handle): 1618 mm
- Length (w. handle down): 2.800 mm
- Transport of plates up to 3000 mm
- Width narrow shaft: 698 mm
- Width wide shaft: 790 mm
- Min. height: 565 mm
- Min. height w. rotatable platform: 610 mm
- Max. height: 715 mm
- Height w. material supports down: +40 mm
- Height w. material supports up: +60 mm
- Weight: 311 kg
- Voltage: 24 Volt
- Max. driving speed: 0-6 km/h



## UNIQUE USEABILITY AND SAFETY

The ErgoMover Lift & Go is equipped with an ergonomical and userfriendly handle with built-in safety functions which lives up to the most strict safety norms. The belly button makes sure the operator is not caught between machine and the wall. Fall arrest device will bring the machine to a complete stop when you let go of the handle.

The ErgoMover Go is also equipped with a built-in charger, two joists, four material supports and a parking bracket for the steering handle.

## CUSTOMISED ERGOMOVER LIFT & GO MODELS

- **ErgoMover Lift & Go** - with rotatable platform. The ErgoMover Lift & Go is available with 360° rotatable platform for endless rotation of the load. Very practical when e.g. plates are to be put down onto trestles.
- **ErgoMover Lift & Go Flex** - adjust the platform to fit your load. The platform has three extraction possibilities: 1.777 mm, 2.270 mm or 2.470 mm.

*\*The dimensions are indicative and may vary +/- 10mm*