

# ATLAS KOMPAKT

## Excavator AC 90UF-2PB

Operating Weight	9.2 t (rubber track)
Engine power	46.2 kW / 2200 rpm
Engine brand	Yanmar
Standard Bucket Capacity	0.26 m <sup>3</sup>
Max. Digging Depth	4735 mm

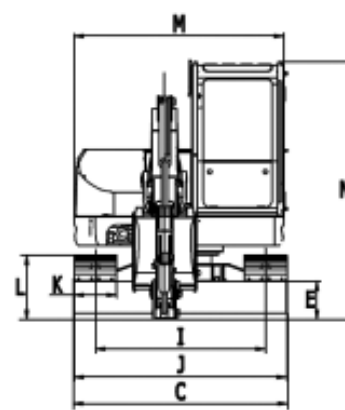
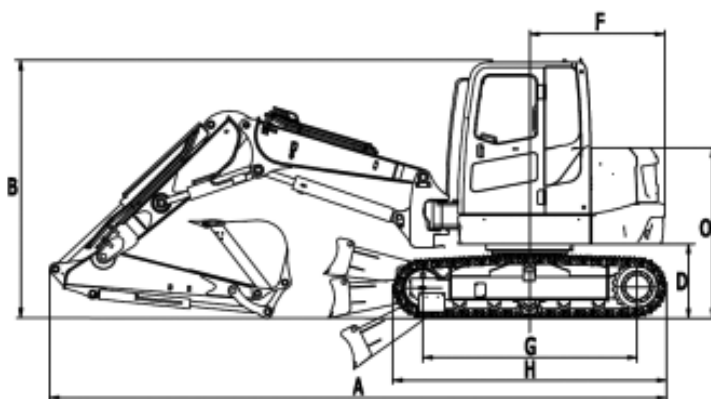
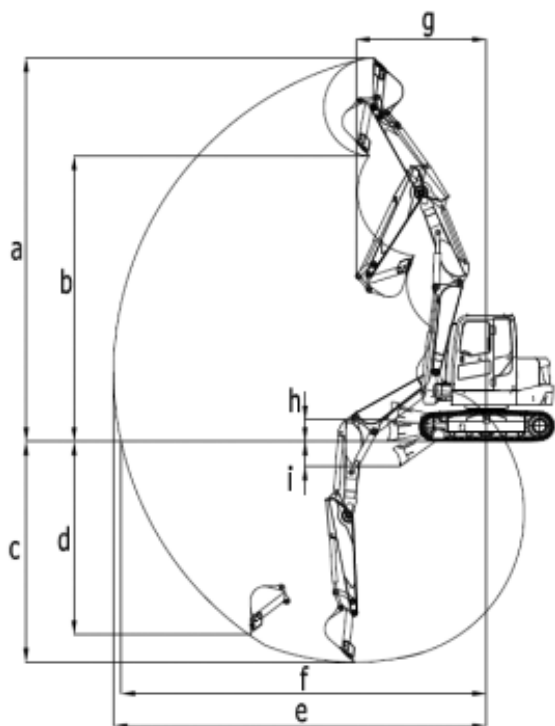


### Parameter

ENGINE	
Brand	YANMAR
Model	4TNV98C
Type	4-stroke water cooled
Displacement	3.319 L
Power	46.2kW / 2200rpm
ELECTRIC SYSTEM	
Nominal Voltage	12V
Batteries	120 Ah
Alternator	12V - 55 A
Starter	12 V - 3.0 kW
DRIVE	
Max. Travel Speed (2ns/1st)	4.7 / 2.7 km/h
Gradeability	35°
Max. Traction	68 kN
UNDERCARRIAGE	
Undercarriage Width	2270 mm
Track width	450 mm
Length to Center of Rollers	2250 mm
Track Length	2900 mm
Track Height	678 mm
BULLDOZING BOARD	
Independent moving, controlled by the gear shift lever	
Length X Width	2250 x 415 mm
Max. Lifting Height	535 mm
Max. Cutting Depth	470 mm

 [www.atlas-kompakt.com](http://www.atlas-kompakt.com)

DIMENSIONS	
Counterweight Clearance	785 mm
Tail Swing Radius	1430 mm
Shipping Length	6540 mm
Shipping Width	2260 mm
Shipping Height	2720 mm
WORKING RANGES	
Max. Cutting Height	8240 mm
Max. Loading Height	6135 mm
Max. Digging Depth	4735 mm
Max. Vertical wall Digging Depth	4140 mm
Max. Digging Reach	8035 mm
Max. Reach at Ground Level	7875 mm
Bucket Digging Force	63.5 kN
Stick Digging Force	38 kN
Ground Pressure	36.5 kPa
Swing Speed	11.2 rpm
CAPACITY	
Fuel Tank	125 L
Hydraulic Oil Tank	80 L
HYDRAULIC SYSTEM	
Main Pumps	
Type	Single Piston Pump
Displacement	160 L/min
Working Pressure	28 Mpa



## WORKING RANGES

a	Max Cutting Height	8240 mm
b	Max Dumping Height	6135 mm
c	Max Digging Depth	4735 mm
d	Max Vertical Digging	4140 mm
e	Maximum Reach	8035 mm
f	Maximum Reach at Ground Line	7875 mm
g	Maximum Implements Swing Radius	2840 mm
h	Maximum Dozer Elevation	450 mm
i	Maximum Dozer Digging Depth	485 mm

## DIMENSIONS

	Boom Section 1	1950 mm
	Boom Section 2	2050 mm
	Jib	2100 mm
ABC	Dimensions (L*W*H)	6540x2260x2720 mm
D	Counterweight Clearance	785 mm
E	Minimum Clearance	400 mm
F	Tail Swing Radius	1430 mm
G	Track Length – Length to Center of Rollers	2269 mm
H	Undercarriage Length	2896 mm
I	Track center line Width	1800 mm
J	Undercarriage Width (With Track Shoes)	2250 mm
K	Track Width	450 mm
L	Track Height	678 mm
M	Upper Structure Width	2220 mm
N	Height-Top of Cab	2720 mm
O	Engine Hood Height	1800 mm